



The affordable LED solution

CorePro LEDtube InstantFit HF

CorePro LEDtube InstantFit HF is an affordable LED solution suitable for replacing T8 fluorescent lamps. It provides a natural lighting effect for use in general lighting applications, as well as instant energy savings – an environmentally friendly solution.

Benefits

- Minimizes overall lighting costs
- Offers the cheapest and easiest upgrade to LED lighting technology

Features

- High energy efficiency
- Long lifetime
- Easy installation; retrofit replacement of existing T8 lamps on electronic (HF) ballast installations
- Conventional form factor to fit into existing luminaires
- No mercury

Application

- Parking lots and covered car parks
- Industrial facilities and warehouses
- Signage

CorePro LEDtube InstantFit HF

Versions



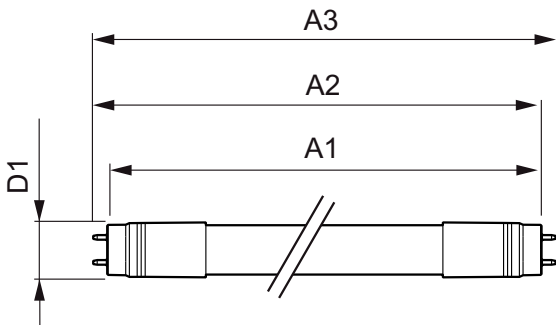
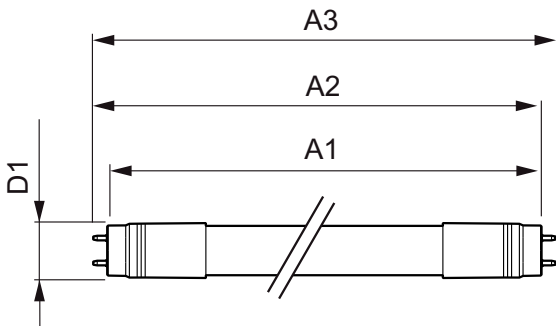
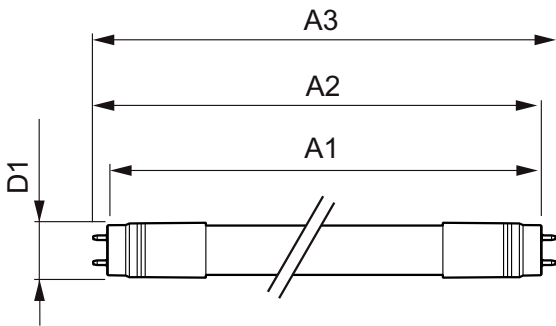
G13 Medium Bi-Pin Fluorescent

G13 Medium Bi-Pin Fluorescent

G13 Medium Bi-Pin Fluorescent

G13 Medium Bi-Pin Fluorescent

Dimensional drawing



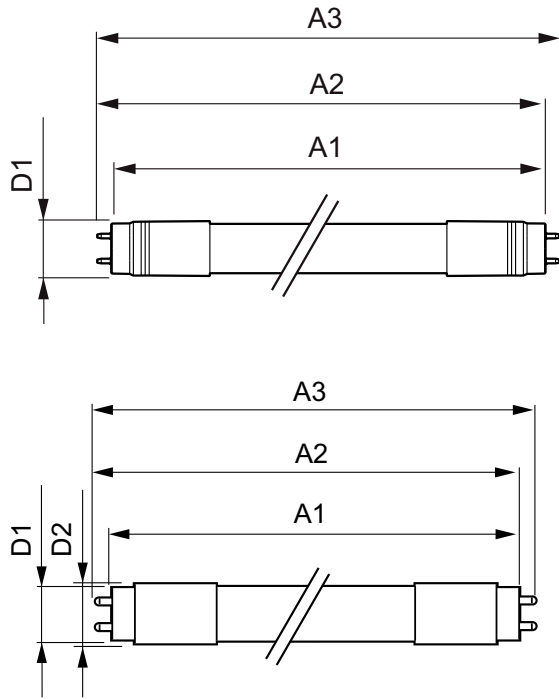
Product	D	A1	A2	A3
CorePro LEDtube HF 1200mm 15W865 T8 G	27.9 mm	1199.4 mm	1205.3 mm	1213.6 mm

Product	D	A1	A2	A3
CorePro LEDtube HF 1500mm 20W840 T8 G	27.9 mm	1500 mm	1505.9 mm	1514.2 mm

Product	D	A1	A2	A3
CorePro LEDtube HF 1200mm 15W840 T8 G	27.9 mm	1199.4 mm	1205.3 mm	1213.6 mm

CorePro LEDtube InstantFit HF

Dimensional drawing



Product	D	A1	A2	A3
CorePro LEDtube HF 1500mm 20W865 T8 G	27.9 mm	1500 mm	1505.9 mm	1514.2 mm

Product	D1	D2	A1	A2	A3
CorePro LEDtube HF 600mm 9W865 T8 G	27.9 mm	28 mm	589.8 mm	595.7 mm	604 mm
CorePro LEDtube HF 600mm 9W840 T8 G	27.9 mm	28 mm	589.8 mm	595.7 mm	604 mm

Controls and Dimming

Dimmable	No
----------	----

Operating and Electrical

Voltage (Nom)	30-80 V
Starting Time (Nom)	0.5 s

General Information

Cap-Base	G13
Nominal Lifetime (Nom)	30000 h
Switching Cycle	50000X

Light Technical

Beam Angle (Nom)	240 °
Color Rendering Index (Nom)	83
Llmf At End Of Nominal Lifetime (Nom)	70 %
Rated Beam Angle	240 °

Temperature

T-Ambient (Max)	45 °C
T-Ambient (Min)	-20 °C
T-Storage (Max)	65 °C
T-Storage (Min)	-40 °C

Approval and Application

order code	Energy Consumption kWh/1000 h	Energy Efficiency Label (EEL)
929001136502	19 kWh	A+
929001249502	12 kWh	A
929001249602	12 kWh	A
929001249702	25 kWh	A+
929001249802	25 kWh	A+
929001249902	19 kWh	A+

Operating and Electrical

CorePro LEDtube InstantFit HF

order code	Input Frequency	Wattage Equivalent	Power (Rated) (Nom)
929001136502	20000-75000 Hz	36 W	15 W
929001249502	-	18 W	9 W
929001249602	-	18 W	9 W

order code	Input Frequency	Wattage Equivalent	Power (Rated) (Nom)
929001249702	20000-75000 Hz	58 W	20 W
929001249802	20000-75000 Hz	58 W	20 W
929001249902	20000-75000 Hz	36 W	15 W

Light Technical

order code	Color Code	Correlated Color Temperature (Nom)	Luminous Flux (Nom)	Luminous Flux (Rated) (Nom)
929001136502	865	6500 K	1600 lm	1600 lm
929001249502	840	4000 K	800 lm	800 lm
929001249602	865	6500 K	800 lm	800 lm

order code	Color Code	Correlated Color Temperature (Nom)	Luminous Flux (Nom)	Luminous Flux (Rated) (Nom)
929001249702	840	4000 K	2000 lm	2000 lm
929001249802	865	6500 K	2000 lm	2000 lm
929001249902	840	4000 K	1600 lm	1600 lm

Temperature

order code	T-Case Maximum (Nom)
929001136502	45 °C
929001249502	60 °C
929001249602	60 °C

order code	T-Case Maximum (Nom)
929001249702	55 °C
929001249802	55 °C
929001249902	45 °C

Light Distribution Diagrams

